

Duet Lingual orthodontic Bracket (DLB)

by Dr. Hee-Moon Kyung

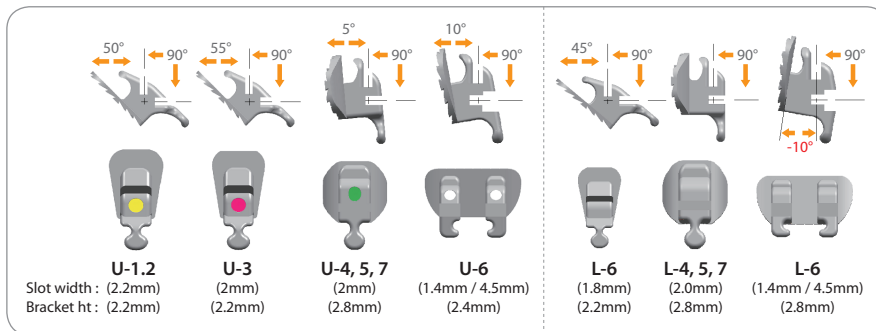


Duet Lingual orthodontic Brackets have 2 main slots which machined as one piece. So, the size of bracket is uniform and precise compare to cast brackets.

Composition of the set

Mandible (14) : 6 anteriors, 4 premolars, 2 first molars, 2 second molars (same as premolars)
 Maxilla (14) : 6 anteriors, 4 premolars, 2 first Molars, 2 second molars (same as premolars)

(slot size : .018" both Occlusal & Horizontal slots)



- * Any buccal tube(.022"recommended) can be used for maxillary left 2nd molar
- ** The 1st Molar brackets: .032" x .032" extra slot (TP bar can be inserted with main archwire)
- *** Mandibular 2nd molars can be controlled by buccal attachments.

Bi-wire technique

When the horizontal slots are aligned with straight wire concept, about 1mm offset bends are needed between canine and premolar brackets on the occlusal slots.

